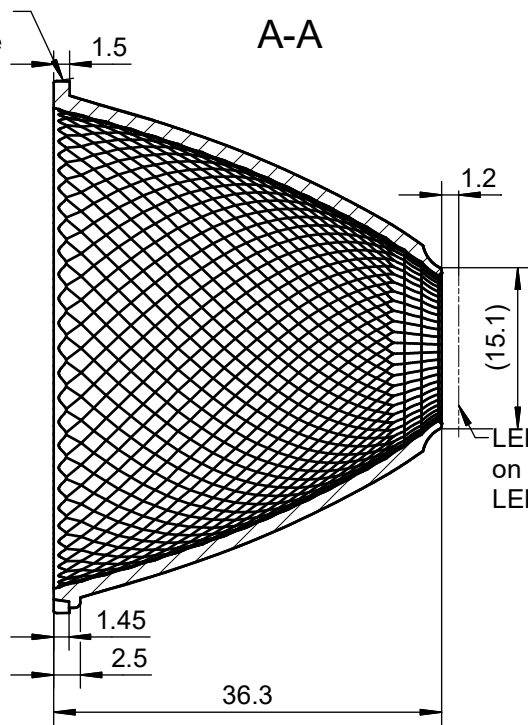
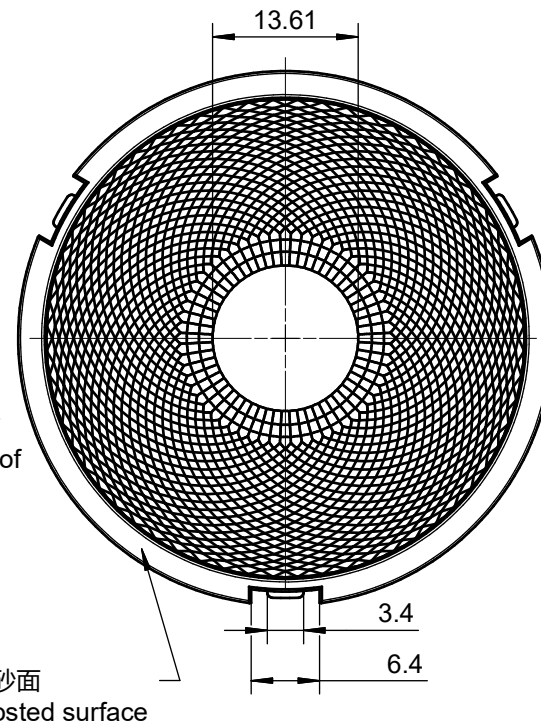


磨砂面
Frosted surface

A-A



LED基板上表面
on the surface of
LED substrate



磨砂面
Frosted surface

注意光源支架选择：光源支架中间开孔需 ≥ 17

Pay attention to the selection of the light source bracket:

The middle hole of the light source bracket needs to be ≥ 17

技术要求：

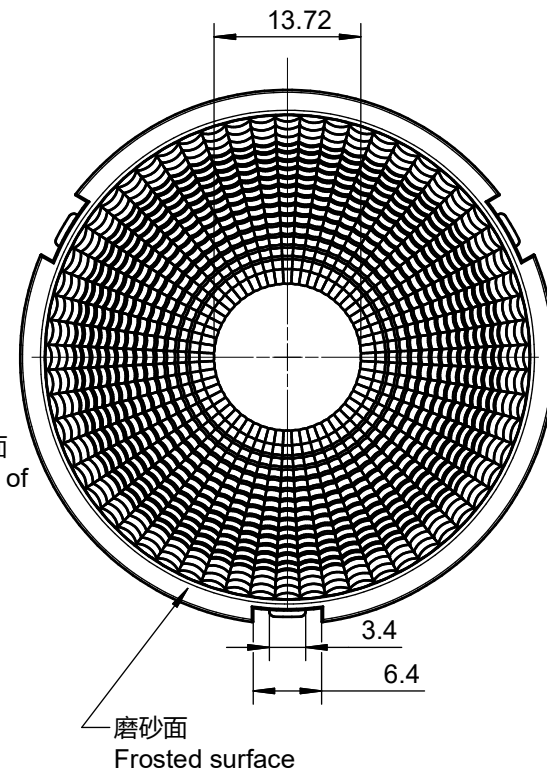
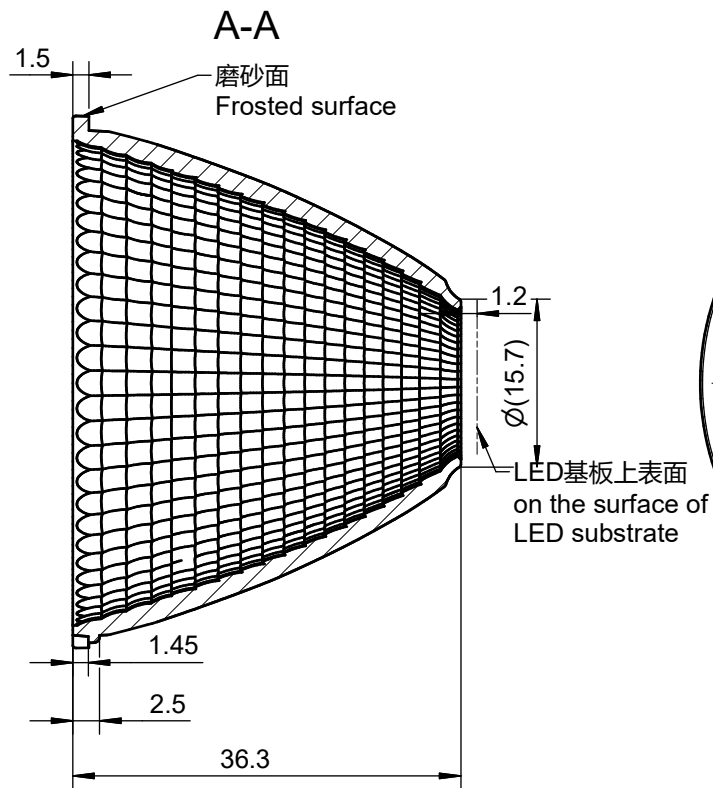
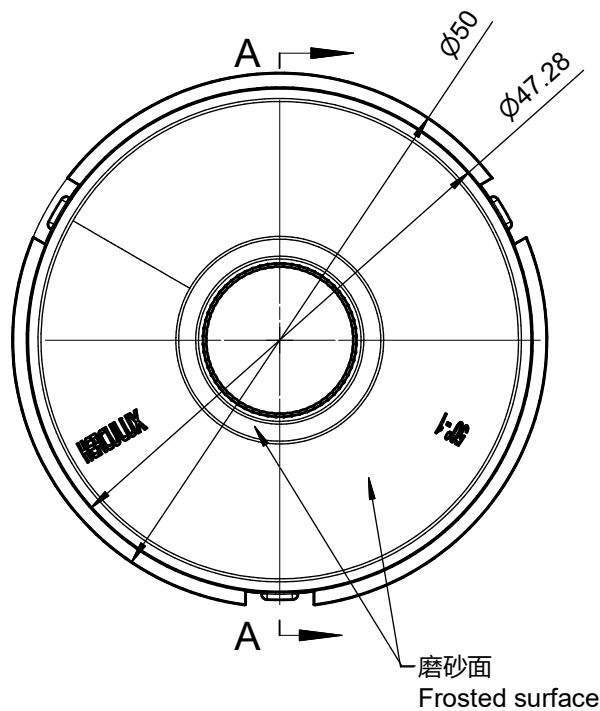
- 1、未注圆角及拔模斜度按3D图。
- 2、未注尺寸公差按右表。
- 3、表面无飞边，缩水，气泡等缺陷。
- *4、灯具采用胶圈防水时：要求散热器与胶圈的接触面的粗糙度：Ra $<3.2\mu\text{m}$

Technical remark:

- 1.Fillet and inclination not indicated according to 3D drawing.
2. Dimensional tolerances not indicated are shown in the right list.
3. The surface has no flash, shrinkage, bubbles and other defects.
- *4. When the lamp adopts rubber ring for waterproofing: the roughness of the contact surface between the radiator and the rubber ring is required: Ra $<3.2\mu\text{m}$

出光角度范围 Beam angle range		透过率 Transmittance	
最小K值 Min K value		点胶类型 Gel type	
模具等级 Mold level		备注 Remark	

2					4				
1					3				
序号 Item	更改标记 Change mark	更改内容 Change content	更改日期 Change date	签名 Signature	序号 Item	更改标记 Change mark	更改内容 Change content	更改日期 Change date	签名 Signature
光学设计 Optical design					Title:		Drawing No.		
结构设计 Structural design					HK 光影50@36-24度反光杯 HK V 50@36-24 Degree reflective cup		HK-GY-50@36-24-D12-2#-1g-1		
审核 Verify							Part No.		
审定 Approval					材料 Material: PC 镀铝 PC aluminum plating		1.08.12765 CDHK		



注意光源支架选择：光源支架中间开孔需 ≥ 17
 Pay attention to the selection of the light source bracket:
 The middle hole of the light source bracket needs to be ≥ 17

技术要求:

- 1、未注圆角及拔模斜度按3D图。
- 2、未注尺寸公差按右表。
- 3、表面无飞边，缩水，气泡等缺陷。
- *4、灯具采用胶圈防水时：要求散热器与胶圈的接触面的粗糙度：Ra<3.2 μ m

Technical remark:

1. Fillet and inclination not indicated according to 3D drawing.
2. Dimensional tolerances not indicated are shown in the right list.
3. The surface has no flash, shrinkage, bubbles and other defects.
- *4. When the lamp adopts rubber ring for waterproofing: the roughness of the contact surface between the radiator and the rubber ring is required: Ra<3.2 μ m

出光角度范围 Beam angle range		透过率 Transmittance	
最小K值 Min K value		点胶类型 Gel type	
模具等级 Mold level	见图面	备注 Remark	

基本尺寸 Basic size	公差值 Tolerance value
<3	± 0.1
3~10	± 0.15
10~24	± 0.20
24~65	± 0.35
65~140	± 0.50
140~250	± 0.80
250~450	± 1.2
>450	± 2.0

序号 Item	更改标记 Change mark	更改内容 Change content	更改日期 Change date	签名 Signature	序号 Item	更改标记 Change mark	更改内容 Change content	更改日期 Change date	签名 Signature
2					4				
1					3				
光学设计 Optical design 结构设计 Structural design 审核 Verify 审定 Approval					Title: HK 光影50@36-50度反光杯 HK V 50@36-50 Degree reflective cup 材料 PC 镀铝 Material: PC aluminum plating				
					Drawing No. HK-GY-50@36-50-D12-2#-1g-1 Part No. 1.08.33481 CDHK				